

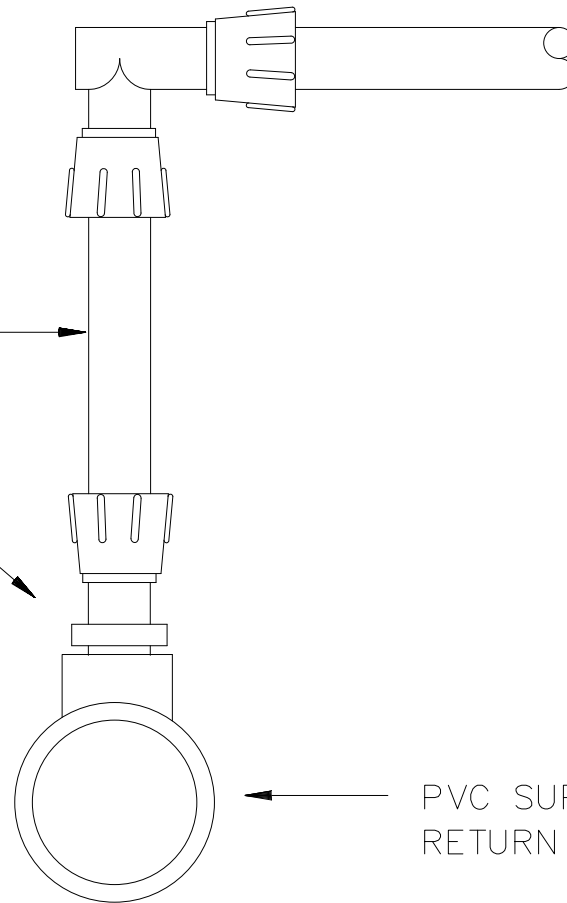
GEOFLOW LOCKSLIP ELBOW (LTEL-600)

GEOFLOW WASTEFLOW DRIPLINE

BLANK GEOFLOW
WASTEFLOW DRIPLINE

GEOFLOW LOCKSLIP ADAPTER (LTSLIP-600)
GLUE INTO 3/4 INCH PVC
OR OVER 1/2 INCH PVC

PVC SUPPLY AND/ OR
RETURN MANIFOLD



513

GEOFLOW LOCKSLIP ELBOW TO LOCKSLIP ADAPTER CONNECTION
SECTION

Not To Scale